



# DR

## 200

Power  
5 kW

Max weld surface  
200 cm<sup>2</sup>

Max weldable electrode width  
200 mm

Free space behind electrode  
1500 mm

Daylight (with 45 mm tall electrode)  
160 mm

Power requirement - max/hour  
2.9 kW/h

Main fuse - type D  
32 A

Working frequency  
27.12 MHz

## 300

Power  
8 kW

Max weld surface  
300 cm<sup>2</sup>

Max weldable electrode width  
200 mm

Free space behind electrode  
1500 mm

Daylight (with 45 mm tall electrode)  
160 mm

Power requirement - max/hour  
5.5 kW/h

Main fuse - type D  
32 A

Working frequency  
27.12 MHz

## 400

Power  
10 kW

Max weld surface  
400 cm<sup>2</sup>

Max weldable electrode width  
200 mm

Free space behind electrode  
1500 mm

Daylight (with 45 mm tall electrode)  
160 mm

Power requirement - max/hour  
5.8 kW/h

Main fuse - type D  
32 A

Working frequency  
27.12 MHz

## 500

Power  
12 kW

Max weld surface  
500 cm<sup>2</sup>

Max weldable electrode width  
200 mm

Free space behind electrode  
1500 mm

Daylight (with 45 mm tall electrode)  
160 mm

Power requirement - max/hour  
6.2 kW/h

Main fuse - type D  
32 A

Working frequency  
27.12 MHz





## Operating system and Software

### Operating system

The operating system is developed by Forsstrom programmers and sales representatives with experience in the field. It is a system developed for welders by welders. The computer features a 12" touch screen.

### Software

Forsstrom iQ is designed to monitor and analyze users' HF/RF welding department. Powerful reporting tools allow quick identification of weak points and bottlenecks resulting in optimal usage of production capacities.

## Extras

### Computer and Software

Data transfer program  
Travel programs  
Control programs

### Material positioning

Band holder  
Magnet system  
Vacuum system  
Laser lines

### Welding tools

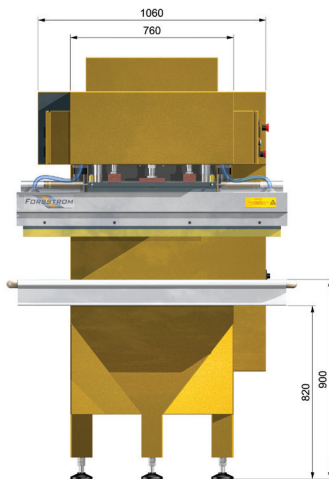
Electrodes  
Impulse welding unit  
Tube-closing tools  
Supplementary tool

### Other

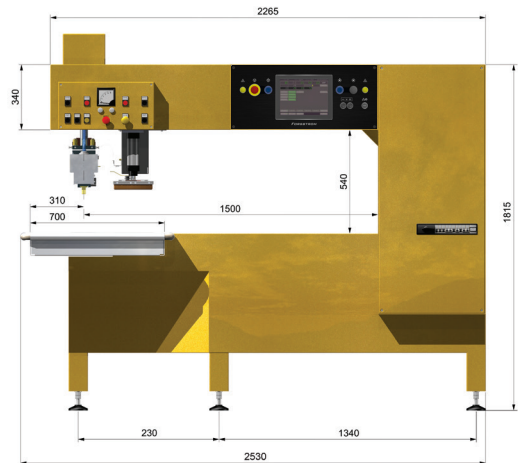
Cooling  
Welding table

## Dimensions

### Front



### Side



[forsstrom.com/machine/dr-200-500](https://forsstrom.com/machine/dr-200-500)

Learn more about the benefits of having the Forsstrom DR as part of your production.

Call or email Forsstrom sales:

Tel: +46 523 66 66 00

[sales@forsstrom.com](mailto:sales@forsstrom.com)

All machines are manufactured on order according to customer specification. We make sure it is equipped to make your production as efficient as possible.