

# TG-Flex

300	400	500	650	800	1000
<b>Power</b> 8 kW	<b>Power</b> 10 kW	<b>Power</b> 12 kW	<b>Power</b> 16 kW	<b>Power</b> 20 kW	<b>Power</b> 25 kW
<b>Max weld surface</b> 300 cm <sup>2</sup>	<b>Max weld surface</b> 400 cm <sup>2</sup>	<b>Max weld surface</b> 500 cm <sup>2</sup>	<b>Max weld surface</b> 650 cm <sup>2</sup>	<b>Max weld surface</b> 800 cm <sup>2</sup>	<b>Max weld surface</b> 1000 cm <sup>2</sup>
<b>Max electrode width</b> 600 mm	<b>Max electrode width</b> 600 mm	<b>Max electrode width</b> 600 mm	<b>Max electrode width</b> 600 mm	<b>Max electrode width</b> 600 mm	<b>Max electrode width</b> 600 mm
<b>Daylight</b> 80 mm	<b>Daylight</b> 80 mm	<b>Daylight</b> 80 mm	<b>Daylight</b> 80 mm	<b>Daylight</b> 80 mm	<b>Daylight</b> 80 mm
<b>Power requirement</b> 5.5 kW/h	<b>Power requirement</b> 5.8 kW/h	<b>Power requirement</b> 6.2 kW/h	<b>Power requirement</b> 6.9 kW/h	<b>Power requirement</b> 7.6 kW/h	<b>Power requirement</b> 9.2 kW/h
<b>Main fuse - type D</b> 32 A	<b>Main fuse - type D</b> 32 A	<b>Main fuse - type D</b> 32 A	<b>Main fuse - type D</b> 63 A	<b>Main fuse - type D</b> 63 A	<b>Main fuse - type D</b> 63 A
<b>Working frequency</b> 27.12 MHz	<b>Working frequency</b> 27.12 MHz	<b>Working frequency</b> 27.12 MHz	<b>Working frequency</b> 27.12 MHz	<b>Working frequency</b> 27.12 MHz	<b>Working frequency</b> 27.12 MHz





## Operating system and Software

### Operating system

The operating system is developed by Forsstrom programmers and sales representatives with experience in the field. It is a system developed for welders by welders. The computer features a 12" touch screen.

### Software

Forsstrom iQ is designed to monitor and analyze users' HF/RF welding department. Powerful reporting tools allow quick identification of weak points and bottlenecks resulting in optimal usage of production capacities.

## Extras

### Computer and Software

Data transfer program  
Travel programs  
Control programs

### Material positioning

Band holder  
Magnet system  
Vacuum system  
Laser lines

### Welding tools

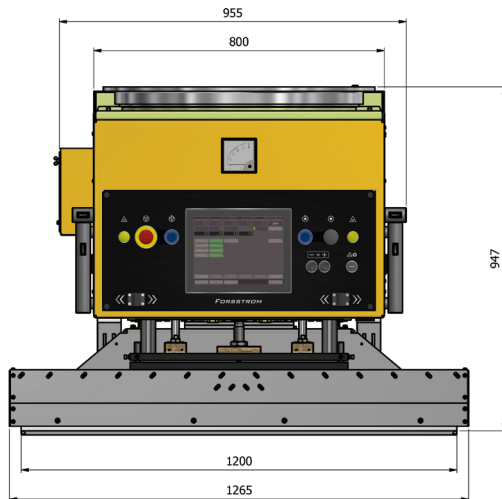
Electrodes  
Impulse welding unit  
Tube-closing tools  
Supplementary tool

### Other

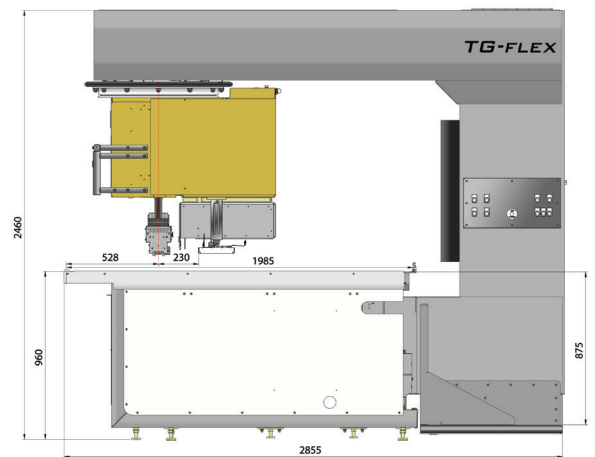
Cooling  
Welding table

## Dimensions

Front



Side



[forsstrom.com/machine/tg-flex-300-1000](https://forsstrom.com/machine/tg-flex-300-1000)

Learn more about the benefits of having the Forsstrom TG-Flex as part of your production.

Call or email Forsstrom sales:

Tel: +46 523 66 66 00

[sales@forsstrom.com](mailto:sales@forsstrom.com)

All machines are manufactured on order according to customer specification. We make sure it is equipped to make your production as efficient as possible.